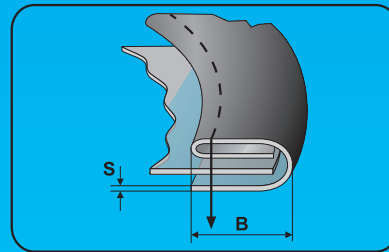
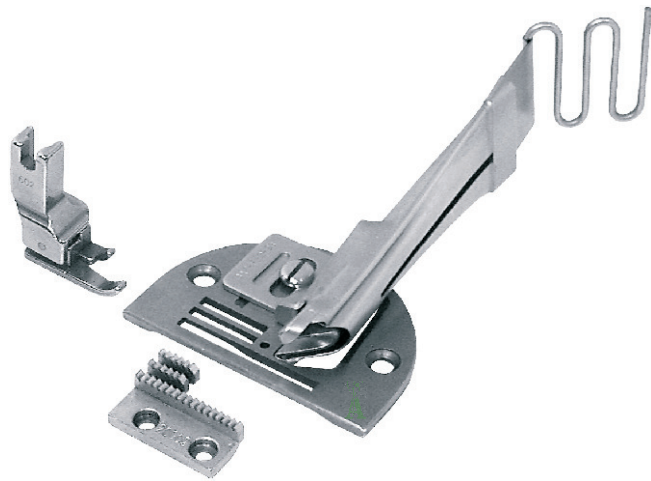
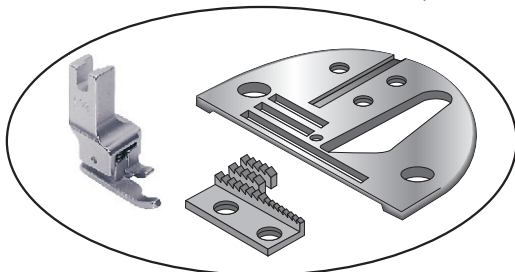


*Per macchine piane
For flat bed machines*



GRUPPI COMPLETI SEPARATI *COMPLETE SETS - SEPARATED*
(Placca, Griffa, Piedino) *(Needle plate, Feed dog, Foot)*



Per macchine (For machines):

PIANE (non rasafilo)

● **STRAIGHT STITCH (not thread trimmer)**

- **TIPO STANDARD**
(STANDARD TYPE)

	PLACCA <i>Needle Plate</i>	GRIFFA <i>Feed Dog</i>	PIEDINO <i>Foot</i>
	cod. 12442	cod. 20002	a misura

● **LINEARI E ZIG-ZAG**

STRAIGHT STITCH AND ZIG-ZAG

- BERNINA 217	(zig-zag)	cod. 15490	cod. 15492	cod. N602ZZ
- BROTHER 856	(zig-zag)	cod. 15520	cod. 15521	cod. 15522
- DÜRKOPP 211	(rasafilo)	cod. 15500	cod. 15501	a misura
- DÜRKOPP 265	(zig-zag)	cod. 15510	cod. 15511	cod. N602ZZ
- JUKI LZ2280, 2290	(zig-zag)	cod. 15520	cod. 15521	cod. 15522
- NECCHI 720, 750	(zig-zag)	cod. 15560	cod. 15561	cod. N602ZZ
- NECCHI 885	(rasafilo)	cod. 15565	cod. 15566	a misura
- PFAFF 138, 238	(zig-zag)	cod. 15600	cod. 15601
- PFAFF 438	(zig-zag)	cod. 15610	cod. 15611	cod. N602ZZ
- PFAFF 463	(rasafilo)	cod. 15620	cod. 15621	a misura
- PFAFF 483		cod. 15630	cod. 15631	a misura
- PFAFF 487		cod. 15632	cod. 15633	cod. 15634
- REFREY 930	(zig-zag)	cod. 15490	cod. 15492	cod. N602ZZ
- SINGER 457	(zig-zag)	cod. 15520	cod. 15521	cod. 15522

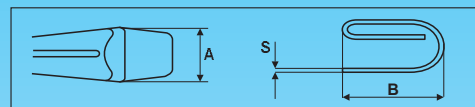
A RICHIESTA

possiamo fornire gruppi opl. (placca griffa e piedino) anche macchine diverse: (BROTHER B737, B755, DÜRKOPP 271, PFAFF 467, RIMOLDI 140, ecc.)

UPON REQUEST

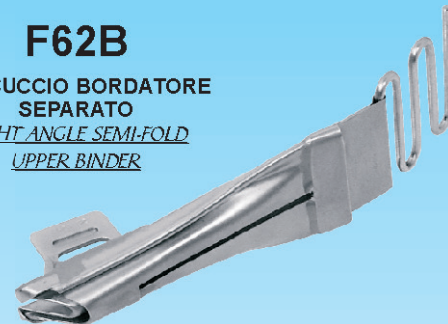
We can supply opl. sets (needle plate, feed dog, foot) also for different machines: (BROTHER B737, B755, DÜRKOPP 271, PFAFF 467, RIMOLDI 140, etc.)

Codice	Entrata (A) (tape size)		Lav. finito (B) (finished size)		Spessore (S) (thickness)	
	(mm)	(inch)	(mm)	(inch)	(mm)	(inch)
F62/12	12	31/64	3	1/8	1,3	1/16
F62/14	14	9/16	4	5/32	1,3	1/16
F62/16	16	5/8	5	3/16	1,3	1/16
F62/19	19	3/4	5,5	7/32	1,3	1/16
F62/20	20	25/32	6	1/4	1,5	1/16
F62/22	22	7/8	7	9/32	1,5	1/16
F62/25	25	1	8	5/16	1,5	1/16
F62/28	28	1-1/8	9	23/64	1,5	1/16
F62/30	30	1-3/16	10	3/8	1,5	1/16
F62/32	32	1-1/4	11	7/16	1,5	1/16
F62/35	35	1-3/8	12	15/32	1,5	1/16
F62/38	38	1-1/2	14	9/16	1,5	1/16
F62/40	40	1-9/16	15	19/32	1,5	1/16



F62B

BECCUCCIO BORDATORE SEPARATO
RIGHT ANGLE SEMI-FOLD
UPPER BINDER



Codice	Entrata (A) (tape size)		Lav. finito (B) (finished size)		Spessore (S) (thickness)	
	(mm)	(inch)	(mm)	(inch)	(mm)	(inch)
F62B/12	12	31/64	3	1/8	1,3	1/16
F62B/14	14	9/16	4	5/32	1,3	1/16
F62B/16	16	5/8	5	3/16	1,3	1/16
F62B/19	19	3/4	5,5	7/32	1,3	1/16
F62B/20	20	25/32	6	1/4	1,5	1/16
F62B/22	22	7/8	7	9/32	1,5	1/16
F62B/25	25	1	8	5/16	1,5	1/16
F62B/28	28	1-1/8	9	23/64	1,5	1/16
F62B/30	30	1-3/16	10	3/8	1,5	1/16
F62B/32	32	1-1/4	11	7/16	1,5	1/16
F62B/35	35	1-3/8	12	15/32	1,5	1/16
F62B/38	38	1-1/2	14	9/16	1,5	1/16
F62B/40	40	1-9/16	15	19/32	1,5	1/16