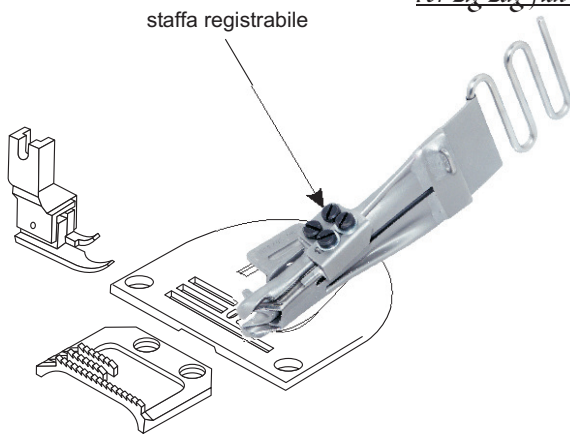


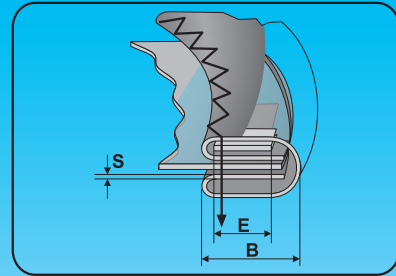
# F495B

**BORDATORE SU PLACCA - DOPPIA PIEGA  
CON INSERIMENTO DI ELASTICO**

*Per macchine piane zig-zag  
For zig-zag flat bed machines*



*RIGHT ANGLE DOUBLE BINDER  
FOR ELASTIC INSERTION*



**GRUPPI COMPLETI - SEPARATI**      **COMPLETE SETS - SEPARATED**  
(Placca, Griffa, Piedino)      (Needle plate, Feed dog, Foot)

		PLACCA <i>Needle Plate</i>	GRIFFA <i>Feed Dog</i>	PIEDINO <i>Foot</i>
- BERNINA 217	(zig-zag)	cod. <b>15490</b>	cod. <b>15492</b>	cod. <b>N602ZZ</b>
- BROTHER 856	(zig-zag)	cod. <b>15520</b>	cod. <b>15521</b>	cod. <b>15522</b>
- DÜRKO PP 265	(zig-zag)	cod. <b>15510</b>	cod. <b>15511</b>	cod. <b>N602ZZ</b>
- JUKI LZ2280, 2290	(zig-zag)	cod. <b>15520</b>	cod. <b>15521</b>	cod. <b>15522</b>
- NECCHI 720, 750	(zig-zag)	cod. <b>15560</b>	cod. <b>15561</b>	cod. <b>N602ZZ</b>
- PFAFF 138, 238	(zig-zag)	cod. <b>15600</b>	cod. <b>15601</b>	-----
- PFAFF 438	(zig-zag)	cod. <b>15610</b>	cod. <b>15611</b>	cod. <b>N602ZZ</b>
- REFREY 930	(zig-zag)	cod. <b>15490</b>	cod. <b>15492</b>	cod. <b>N602ZZ</b>
- SINGER 457	(zig-zag)	cod. <b>15520</b>	cod. <b>15521</b>	cod. <b>15522</b>

Codice (SOLO BECCUCCIO)	Entrata (A) (tape size)		Lav. finito (B) (finished size)		Elastico (E) (elastic size)	
	(mm)	(inch)	(mm)	(inch)	(mm)	(inch)
<b>F495B/20M</b>	20	25/32	5	3/16	4	5/32
<b>F495B/22M</b>	22	7/8	6	1/4	5	3/16
<b>F495B/25M</b>	25	1	7	9/32	6	1/4
<b>F495B/28M</b>	28	1-1/8	8	5/16	7	9/32
<b>F495B/30M</b>	30	1-3/16	9	11/32	8	5/16
<b>F495B/32M</b>	32	1-1/4	10	3/8	9	11/32
<b>F495B/35M</b>	35	1-3/8	11	7/16	10	3/8
<b>F495B/38M</b>	38	1-1/2	12	1/2	10	3/8
<b>F495B/40M</b>	40	1-9/16	13	33/64	12	1/2
<b>F495B/42M</b>	42	1-21/32	14	9/16	12	1/2
<b>F495B/45M</b>	45	1-3/4	15	19/32	14	9/16