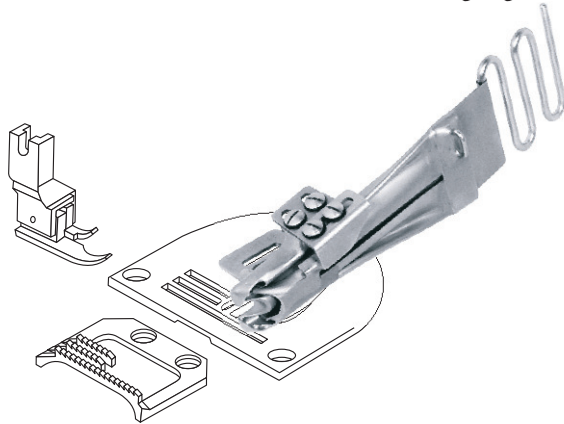


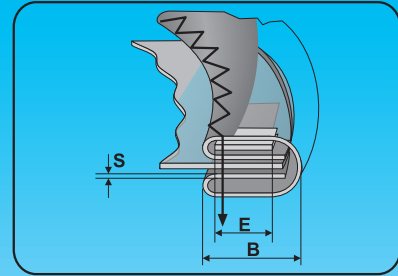
F185B

**BORDATORE SU PLACCA - DOPPIA PIEGA
CON INSERIMENTO DI ELASTICO**

*Per macchine piane zig-zag
For zig-zag flat bed machines*



*RIGHT ANGLE DOUBLE BINDER
FOR ELASTIC INSERTION*



GRUPPI COMPLETI - SEPARATI *COMPLETE SETS - SEPARATED*
(Placca, Griffa, Piedino) (Needle plate, Feed dog, Foot)

		PLACCA <i>Needle Plate</i>	GRIFFA <i>Feed Dog</i>	PIEDINO <i>Foot</i>
- BERNINA 217	(zig-zag)	cod. 15490	cod. 15492	cod. N602ZZ
- BROTHER 856	(zig-zag)	cod. 15520	cod. 15521	cod. 15522
- DÜRKOPP 265	(zig-zag)	cod. 15510	cod. 15511	cod. N602ZZ
- JUKI LZ2280, 2290	(zig-zag)	cod. 15520	cod. 15521	cod. 15522
- NECCHI 720, 750	(zig-zag)	cod. 15560	cod. 15561	cod. N602ZZ
- PFAFF 138, 238	(zig-zag)	cod. 15600	cod. 15601	-----
- PFAFF 438	(zig-zag)	cod. 15610	cod. 15611	cod. N602ZZ
- REFREY 930	(zig-zag)	cod. 15490	cod. 15492	cod. N602ZZ
- SINGER 457	(zig-zag)	cod. 15520	cod. 15521	cod. 15522

Codice (SOLO BECCUCCIO)	Entrata (A) (tape size) (mm) (inch)	Lav. finito (B) (finished size) (mm) (inch)	Elastico (E) (elastic size) (mm) (inch)
F185B/18M	18 23/32	4 5/32	3 1/8
F185B/20M	20 25/32	5 3/16	4 5/32
F185B/22M	22 7/8	6 1/4	5 3/16
F185B/25M	25 1	7 9/32	6 1/4
F185B/28M	28 1-1/8	8 5/16	7 9/32
F185B/30M	30 1-3/16	9 11/32	8 5/16
F185B/32M	32 1-1/4	10 3/8	9 11/32
F185B/35M	35 1-3/8	11 7/16	10 3/8
F185B/38M	38 1-1/2	12 1/2	10 3/8
F185B/40M	40 1-9/16	13 33/64	12 1/2
F185B/42M	42 1-21/32	14 9/16	12 1/2
F185B/45M	45 1-3/4	15 19/32	14 9/16
F185B/47M	47 1-27/32	16 5/8	15 19/32